

4

3

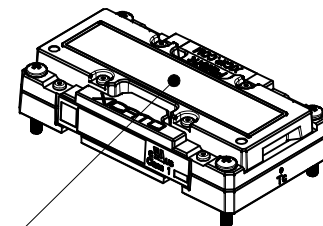
2

1

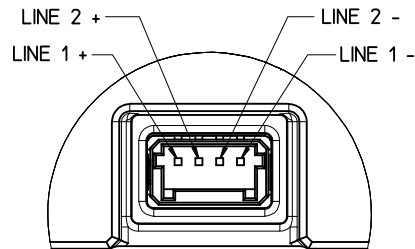
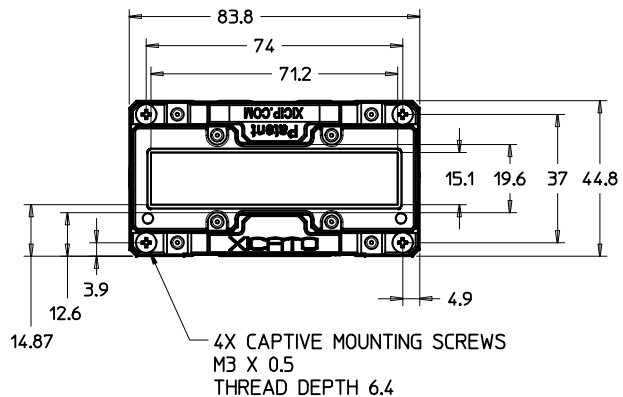
ZONE	REV	DESCRIPTION	ECN	DATE	APVD
	-	TOOLING RELEASE		2/19/10	C.REED
	B	TOOLING RELEASE, XLM-3000,4000		12/07/11	G.Eng

NOTES: UNLESS OTHERWISE SPECIFIED

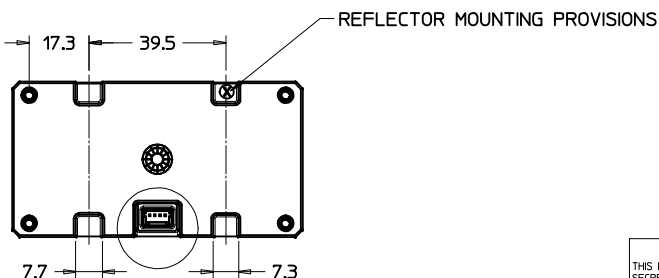
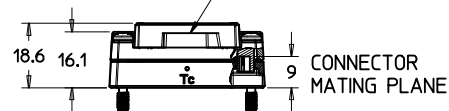
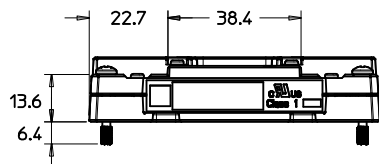
- CAD MODEL SHALL BE USED AS PRIMARY REFERENCE FOR GEOMETRY NOT EXPLICITLY DIMENSIONED IN THIS DRAWING
- CONNECTOR MATE: 4 POSITION TYCO MINI CT CONNECTOR
- TYCO HARNESS MIT: MINI CT CABLE ASSY \*TYCO P/N 2058943-3\*
- MATERIAL FINISH ON ALUMINUM PARTS IS CLEAR CHROMATE



LIGHT EMISSION OPTICAL WINDOW  
71.2MM X 15.1MM



REFLECTOR MOUNTING PROVISIONS



see Detail-A

-CONFIDENTIAL-		UNLESS OTHERWISE SPECIFIED, DIMENSIONS ARE IN MILLIMETERS. STANDARD TOLERANCES ARE:		DATE: 2/19/10	XICATO INC
THIS DOCUMENT IS AND CONTAINS CONFIDENTIAL AND TRADE SECRET INFORMATION OF XICATO INC.		0-10 ± 0.1 10-50 ± 0.15 50-100 ± 0.20 100+ ± 0.25 ANGLES = +5°		DSR:	
THIS DOCUMENT IS LOANED FOR LIMITED PURPOSES ONLY AND REMAINS THE PROPERTY OF XICATO INC. IT IS TO BE RETURNED UPON REQUEST AND IN ALL EVENTS UPON COMPLETION OF PURPOSE OF THE LOAN.				REL:	TITLE XLM INTERFACE
NEITHER IT NOR THE INFORMATION IT CONTAINS MAY BE REPRODUCED, USED, OR DISCLOSED TO PERSONS NOT HAVING A NEED TO KNOW CONSISTENT WITH THE PURPOSE OF THE LOAN WITHOUT WRITTEN CONSENT OF XICATO INC.		⊕		PROD:	DWG SIZE C
				ENGR:	PART NUMBER XLM-XXXX
				CHKD:	SCALE: 2,000
				CHKD:	REV. B
				SHEET 1 OF 1	



4

3

2

1