

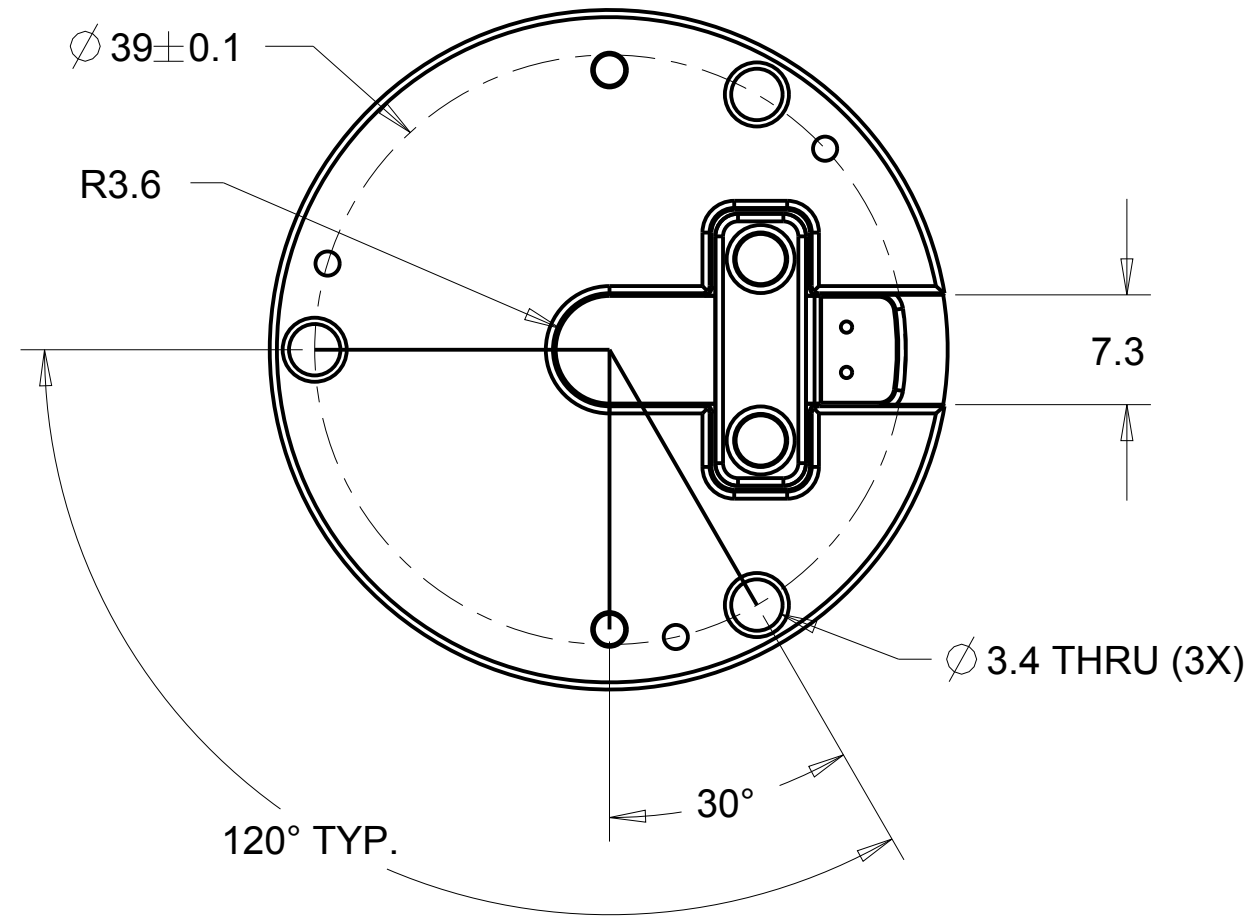
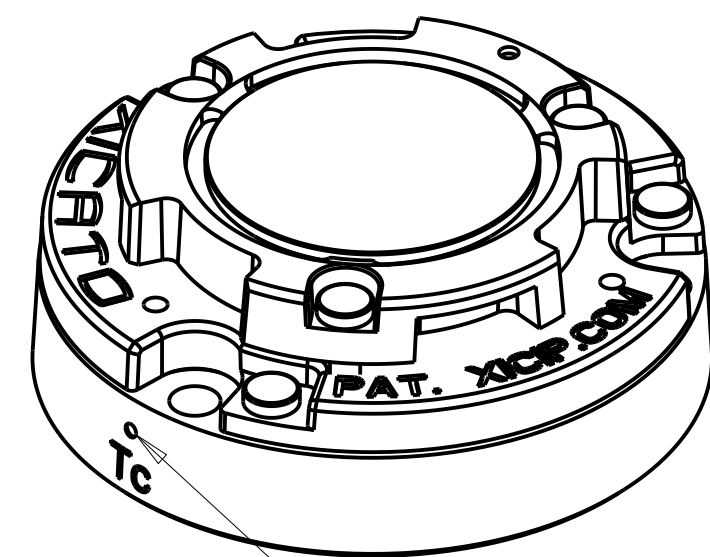
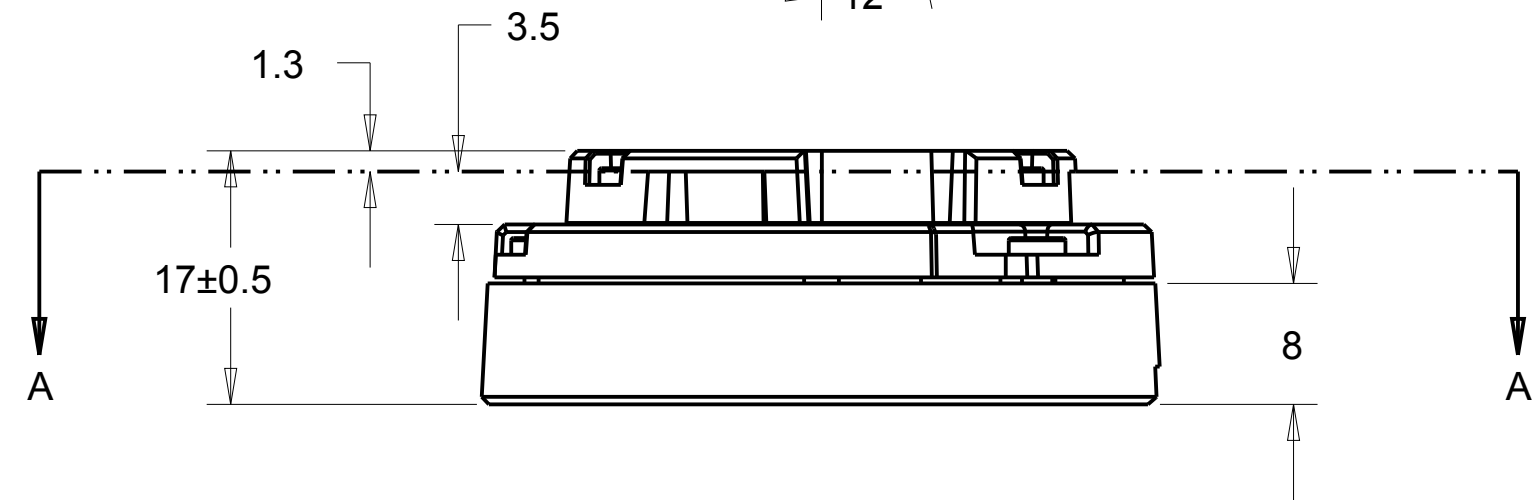
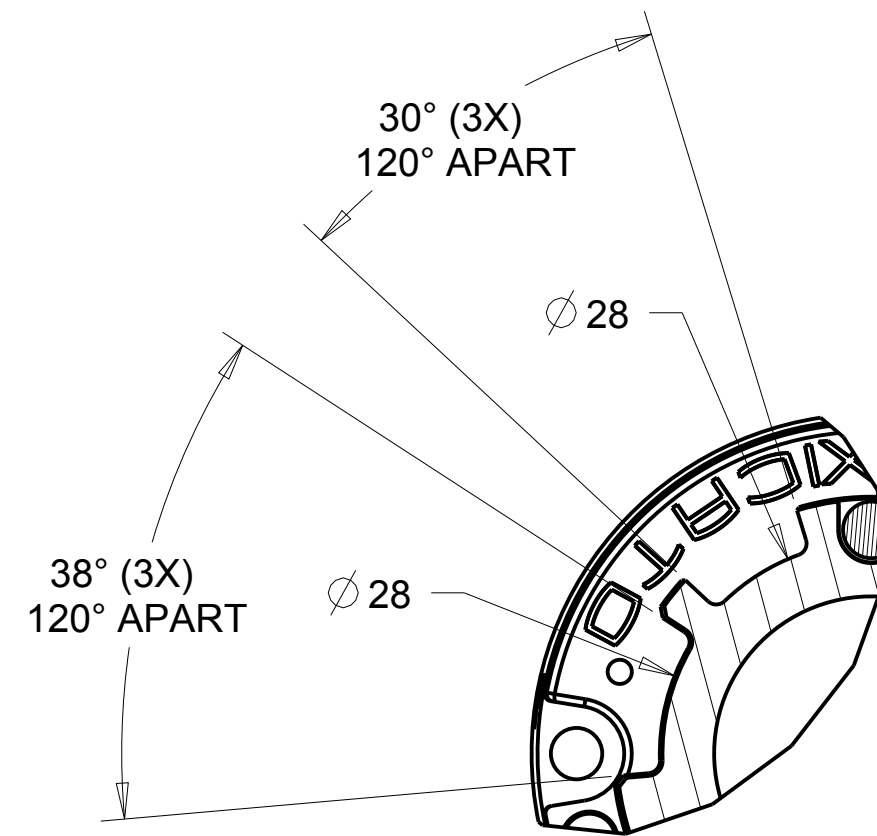
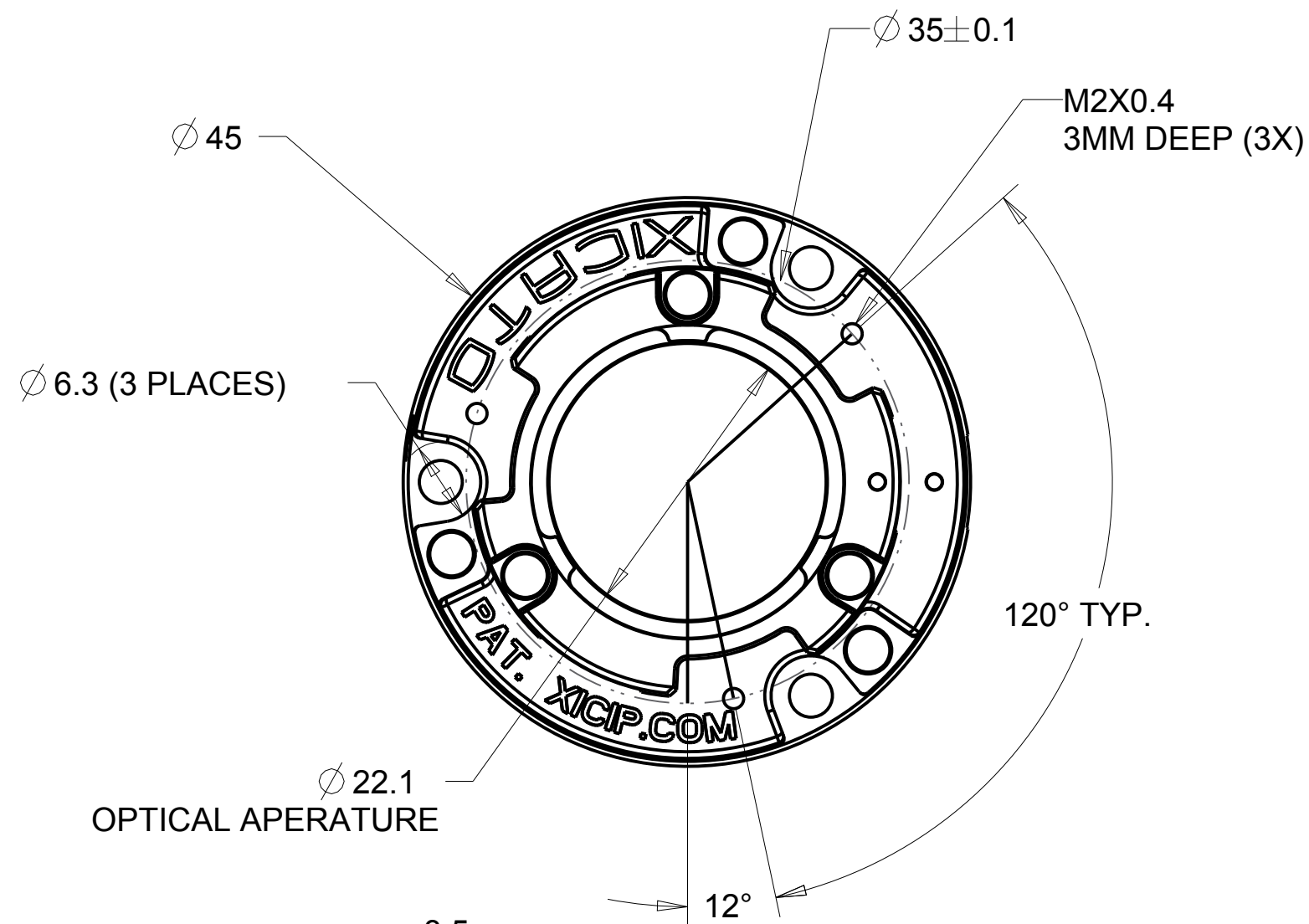
4

3

2

1

ZONE	REV	DESCRIPTION	ECN	DATE	APVD
	1	INITIAL RELEASE		9/10/12	PR



<p align="center"><b>-XICATO-CONFIDENTIAL-</b></p> <p>THIS DOCUMENT IS AND CONTAINS CONFIDENTIAL AND TRADE SECRET INFORMATION OF XICATO INC.</p> <p>THIS DOCUMENT IS LOANED FOR LIMITED PURPOSES ONLY AND REMAINS THE PROPERTY OF XICATO INC. IT IS TO BE RETURNED UPON REQUEST AND IN ALL EVENTS UPON COMPLETION OF PURPOSE OF THE LOAN.</p> <p>NEITHER IT NOR THE INFORMATION IT CONTAINS MAY BE REPRODUCED, USED, OR DISCLOSED TO PERSONS NOT HAVING A NEED TO KNOW CONSISTENT WITH THE PURPOSE OF THE LOAN WITHOUT WRITTEN CONSENT OF XICATO INC.</p>	<p>UNLESS OTHERWISE SPECIFIED, DIMENSIONS ARE IN MILLIMETERS. STANDARD TOLERANCES ARE:</p> <p>0-10 ± 0.1  10-50 ± 0.15  50-100 ± 0.20  100+ ± 0.25  ANGLES ± 0.5°</p>	<p>DATE: 9/10/12</p> <p>DSR: --</p> <p>REL.: --</p> <p>PROD.: --</p> <p>ENGR. PR</p> <p>CHKD: --</p> <p>CHKD: --</p>	<p align="center"><b>XICATO INC</b></p> <p align="center">TITLE <b>XSM-C 400/700/1000/1300/2000Im</b></p> <p align="center"><b>INTERFACE DRAWING</b></p> <p>DWG SIZE: C</p> <p>PART NUMBER: <b>X01306</b></p> <p>SCALE: 2.000</p>	<p>REV. 1</p> <p>SHEET 1 OF 1</p>

4

3

2

1