

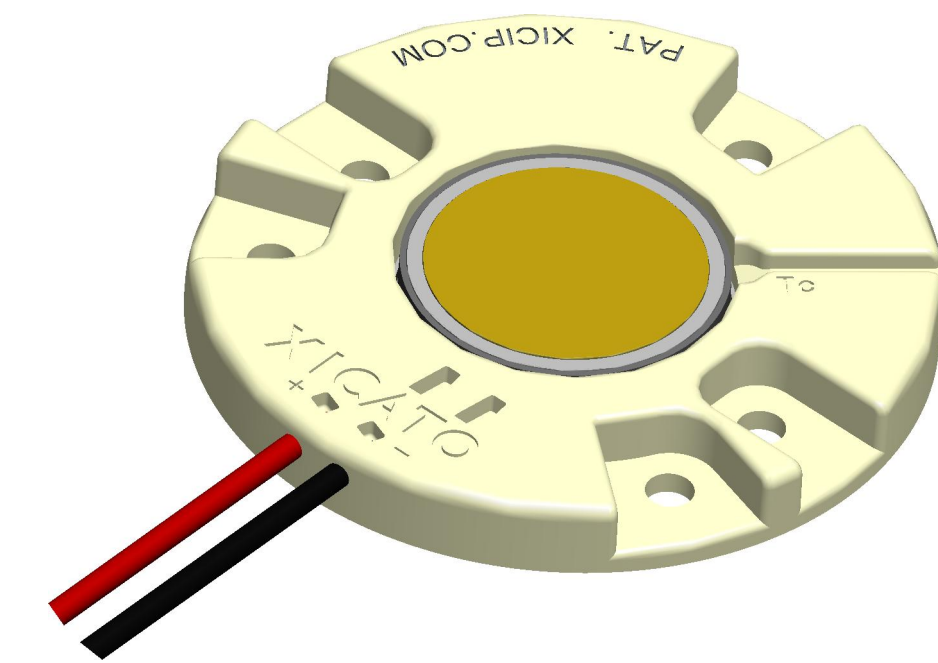
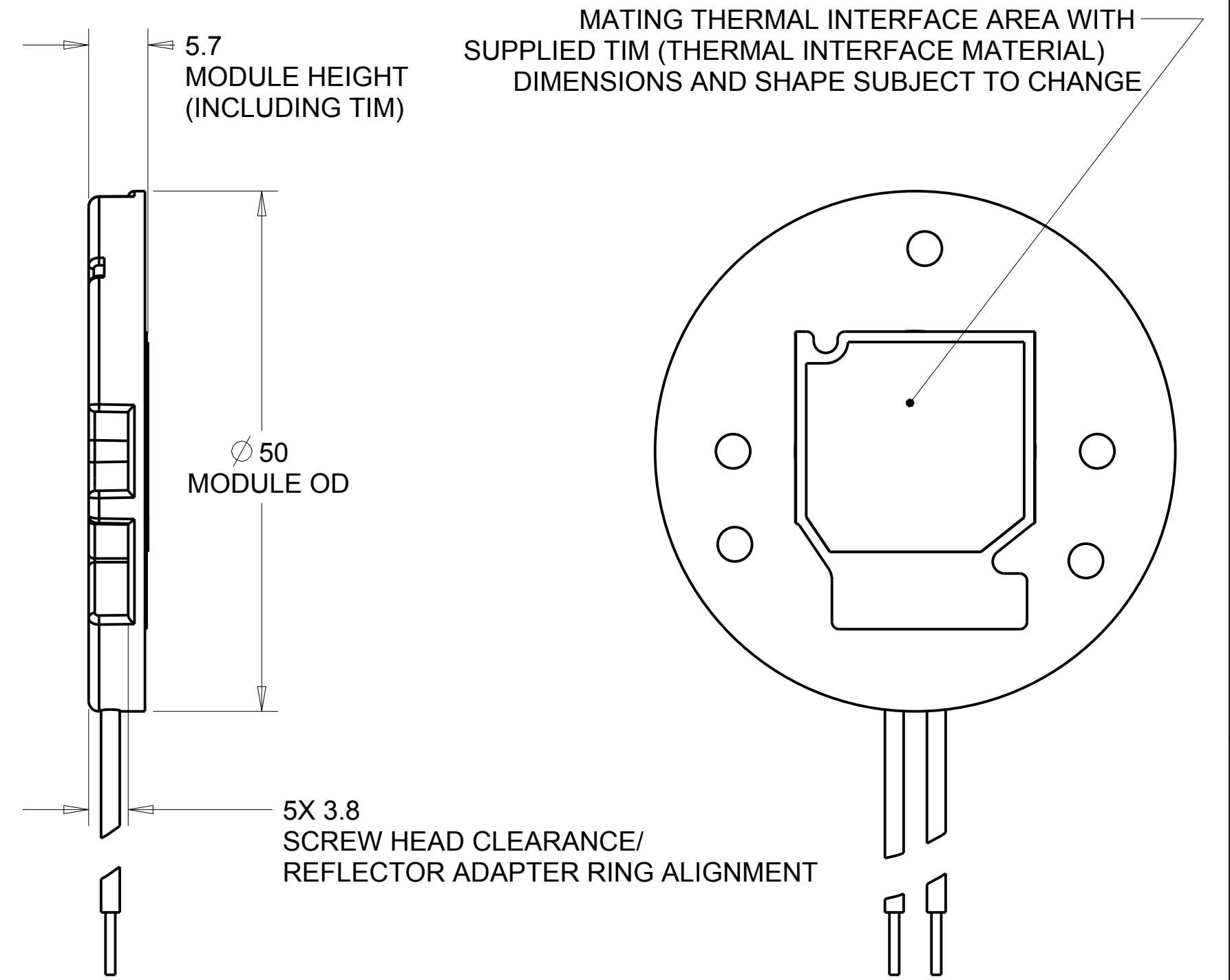
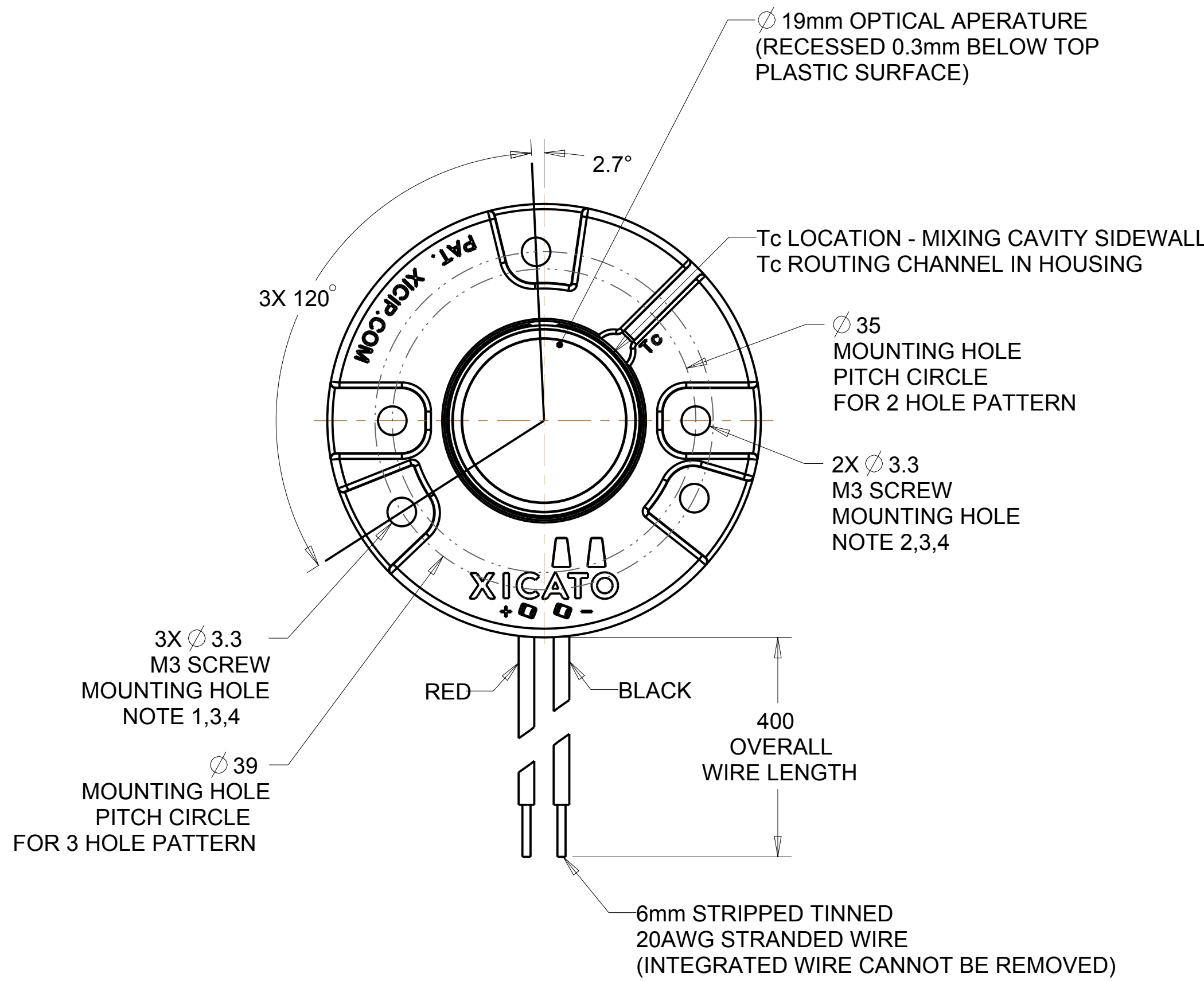
4

3

2

1

ZONE	REV	DESCRIPTION	ECN	DATE	APVD
	1	INITIAL RELEASE		2/21/14	PTR
C4	2	ADDED NOTES AND 2.7° DIMENSION		2/27/14	PTR
1C	3	ADDED BOTTOM VIEW AND POCKET DIMENSIONS		3/11/14	PTR
4C	4	UPDATED GEOMETRY FOR 0.3mm LES RECESS		5/8/14	PTR
4C	5	ADDED PAT. XICIP.COM GEOMETRY		9/2/14	PTR



- NOTES:
- FOR 3 HOLE PATTERN, MINIMUM TORQUE FOR M3 SCREWS IS 0.4Nm (3.5 in-lb)
 - FOR 2 HOLE PATTERN, MINIMUM TORQUE FOR M3 SCREWS IS 0.6Nm (5.3 in-lb)
 - RECOMMEND TO USE SPRING WASHER WITH EITHER FLAT WASHER OR ADAPTER RING
 - RECOMMENDED MOUNTING SCREWS: M3 x 0.5mm x 8mm
 - MATING THERMAL INTERFACE SURFACE FLATNESS OF 0.1mm OR BETTER RECOMMENDED TO MAINTAIN OPTIMAL THERMAL PERFORMANCE
 - HOLES IN THE MATING THERMAL INTERFACE (HEATSINK) GREATER THAN ϕ XXmm ARE NOT RECOMMENDED (HOLE SIZE TBD)

-CONFIDENTIAL-		DATE: 5/8/2014	XICATO INC	
THIS DOCUMENT IS AND CONTAINS CONFIDENTIAL AND TRADE SECRET INFORMATION OF XICATO INC. THIS DOCUMENT IS LOANED FOR LIMITED PURPOSES ONLY AND REMAINS THE PROPERTY OF XICATO INC. IT IS TO BE RETURNED UPON REQUEST AND IN ALL EVENTS UPON COMPLETION OF PURPOSE OF THE LOAN. NEITHER IT NOR THE INFORMATION IT CONTAINS MAY BE REPRODUCED, USED, OR DISCLOSED TO PERSONS NOT HAVING A NEED TO KNOW CONSISTENT WITH THE PURPOSE OF THE LOAN WITHOUT WRITTEN CONSENT OF XICATO INC.		DSR:		
		REL.:	DWG SIZE: C	PART NUMBER: X02036
		PROD.:	SCALE: 2.000	REV. 5
		ENGR. PTR		SHEET 1 OF 2
		CHKD:		
		CHKD:		

4

3

2

1

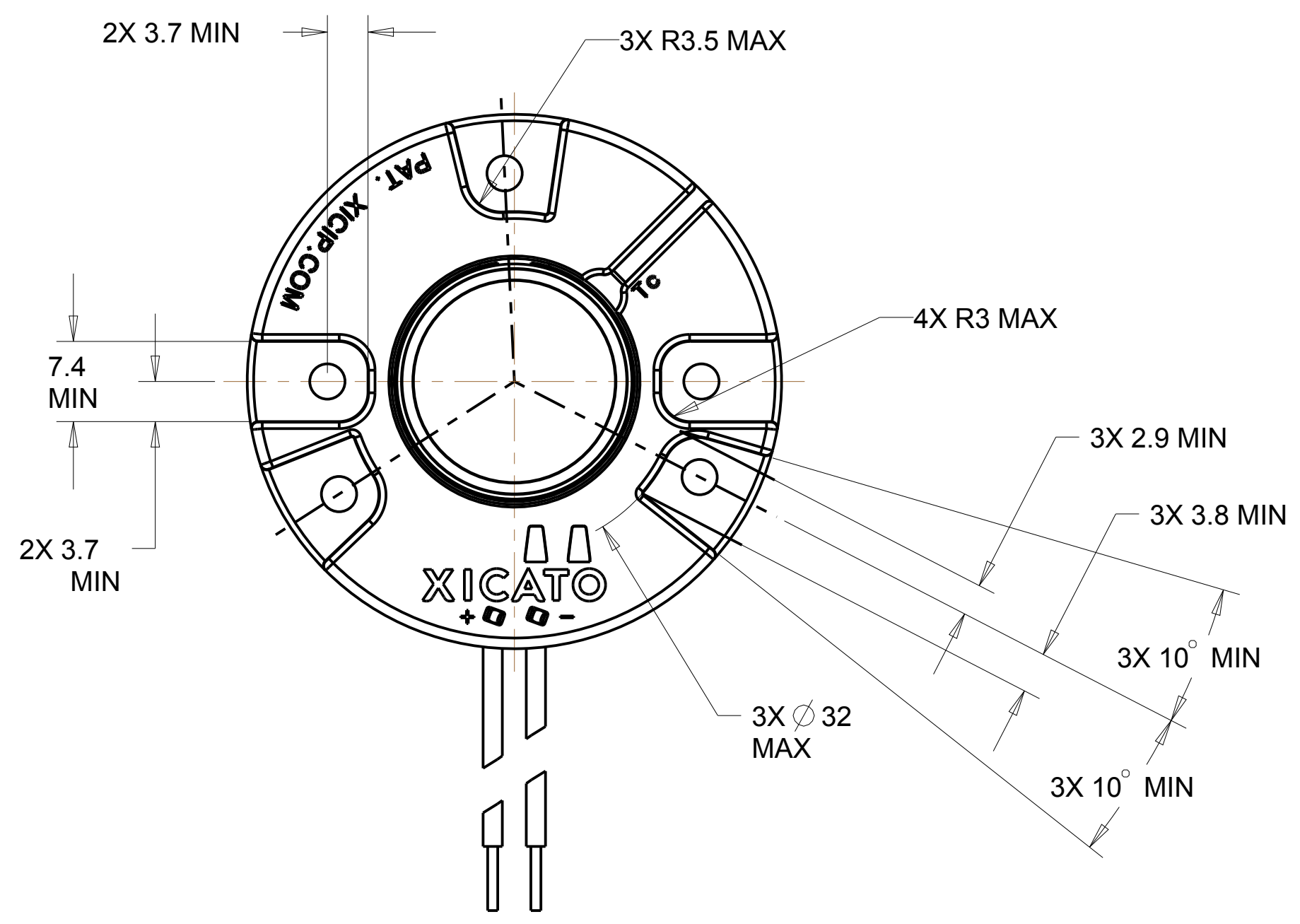
4

3

2

1

ZONE	REV	DESCRIPTION	ECN	DATE	APVD



MOUNTING POCKET DIMENSIONS

-CONFIDENTIAL-

THIS DOCUMENT IS AND CONTAINS CONFIDENTIAL AND TRADE SECRET INFORMATION OF XICATO INC.

THIS DOCUMENT IS LOANED FOR LIMITED PURPOSES ONLY AND REMAINS THE PROPERTY OF XICATO INC. IT IS TO BE RETURNED UPON REQUEST AND IN ALL EVENTS UPON COMPLETION OF PURPOSE OF THE LOAN.

NEITHER IT NOR THE INFORMATION IT CONTAINS MAY BE REPRODUCED, USED, OR DISCLOSED TO PERSONS NOT HAVING A NEED TO KNOW CONSISTENT WITH THE PURPOSE OF THE LOAN WITHOUT WRITTEN CONSENT OF XICATO INC.

UNLESS OTHERWISE SPECIFIED, DIMENSIONS ARE IN MILLIMETERS. STANDARD TOLERANCES ARE:

0-10± 0.1
 10-50± 0.15
 50-100± 0.20
 100+± 0.25
 ANGLES ±1.5°

DATE:	5/8/2014	XICATO INC	
DSR:			
REL.:		TITLE	
PROD.:		XTM INTERFACE DRAWING	
ENGR. PTR		DWG SIZE	PART NUMBER
CHKD:		C	X02036
CHKD:		SCALE: 2.000	REV. 5
			SHEET 2 OF 2

4

3

2

1

D

D

C

C

B

B

A

A